

HDTV Square TV Stands



Oak in Shaker Style

Shown: #301 18"D x 29¾"H x 41½"W

Also Available: #302 18"D x 29¾"H x 46½"W

Also Available: #303 18"D x 29¾"H x 51½"W

Standard Features

- Panel Doors (#304, #305, & #306)
- Smoked Glass Doors (#301, #302, & #303)
- Smoked Glass VCR Doors
- Knife Hinges
- Adjustable Shelves (Except #307, #308, & #309)
- 2 Dovetailed Drawers with Dividers (#307, #308, & #309)
- Vent Holes in Back
- Base Moulding
- Weathered Brass Knobs on Oak in Traditional Style
- Polish Brass Knobs on Cherry in Traditional Style
- Wooden Knobs on Shaker Style
- Mission Hardware on Mission Style
- Adjustable Glides

Options

- Wooden Knobs
- Beveled Glass



Cherry in Traditional Style

Shown: #307 18"D x 29¾"H x 41½"W

Also Available: #308 18"D x 29¾"H x 46½"W

Also Available: #309 18"D x 29¾"H x 51½"W



QWO in Mission Style

Shown: #304 18"D x 29¾"H x 41½"W

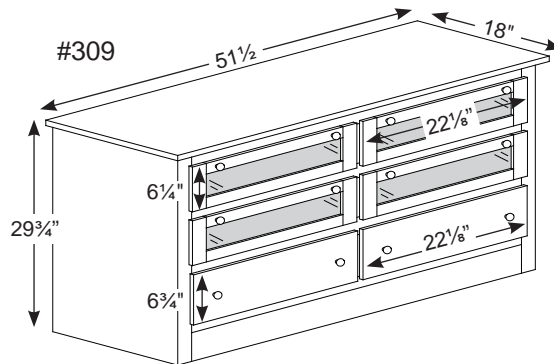
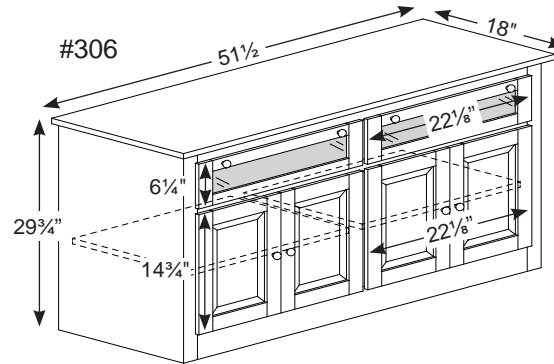
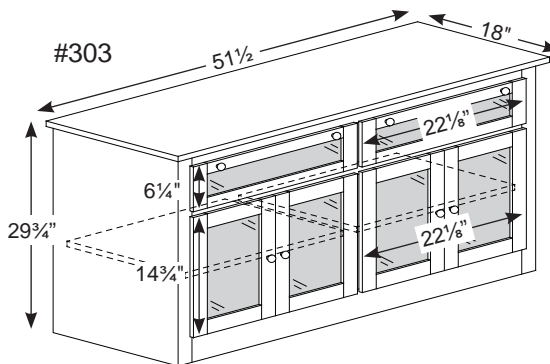
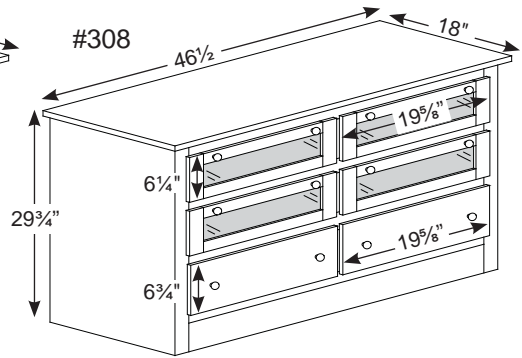
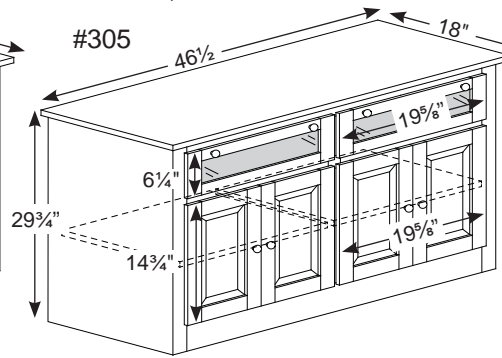
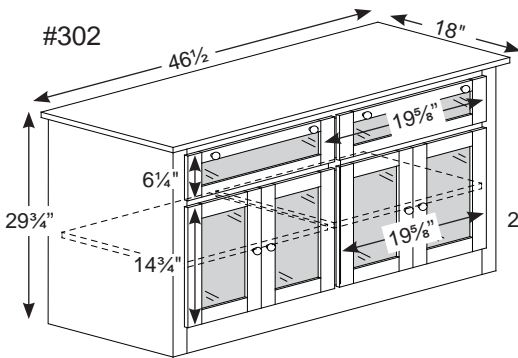
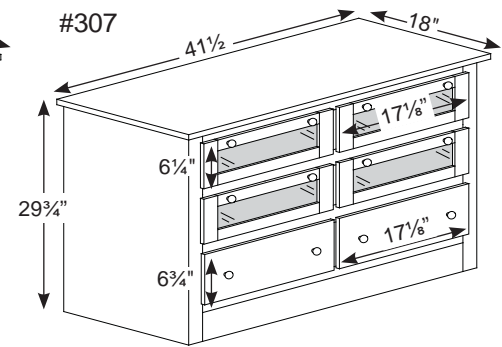
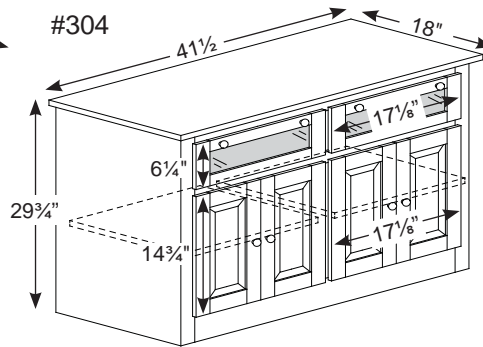
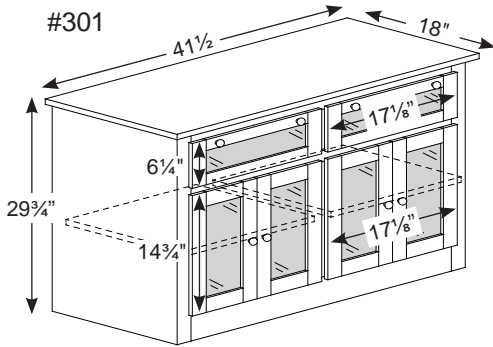
Also Available: #305 18"D x 29¾"H x 46½"W

Also Available: #306 18"D x 29¾"H x 51½"W

Available in Traditional, Mission, & Shaker Styles in Cherry, Oak, Brown Maple, & Quartersawn White Oak

Square TV Stands

Note: Dimensions on doors and drawers reflect opening sizes.
All shelves are 16¼" deep.



Note: All shelves are 16¼" deep

HDTV Corner TV Stands



Oak in Traditional Style

Shown: #317 18"D x 29³/₄"H x 37" Wall Space
 Also Available: #318 18"D x 29³/₄"H x 40⁵/₈" Wall Space
 Also Available: #319 18"D x 29³/₄"H x 44¹/₄" Wall Space



QWO in Mission Style

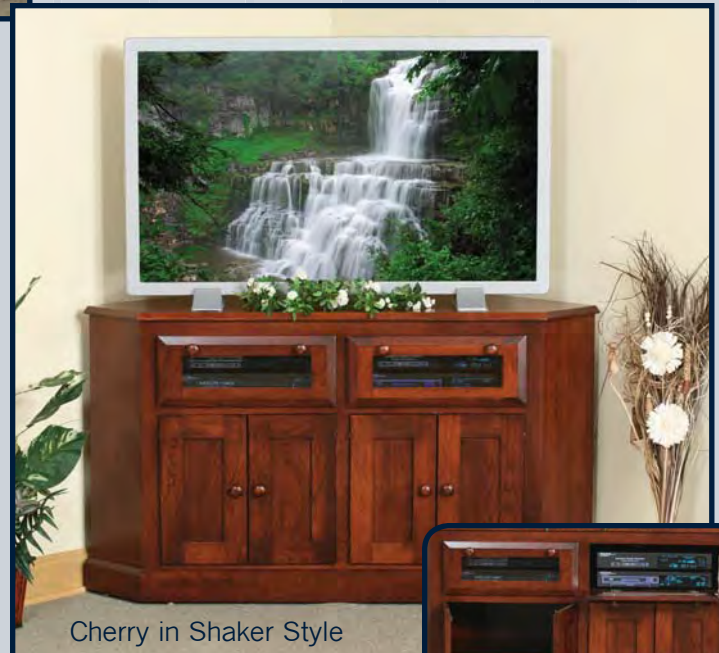
Shown: #311 18"D x 29³/₄"H x 37" Wall Space
 Also Available: #312 18"D x 29³/₄"H x 40⁵/₈" Wall Space
 Also Available: #313 18"D x 29³/₄"H x 44¹/₄" Wall Space

Standard Features

- Panel Doors (#314, #315, & #316)
- Smoked Glass Doors (#311, #312, & #314)
- Smoked Glass VCR Doors
- Knife Hinges
- Adjustable Shelves (Except #317, #318, & #319)
- 2 Dovetailed Drawers with Dividers (#317, #318, & 319)
- Vent Holes in Back
- Base Moulding
- Weathered Brass Knobs on Oak in Traditional Style
- Polish Brass Knobs on Cherry in Traditional Style
- Wooden Knobs on Shaker Style
- Mission Hardware on Mission Style
- Adjustable Glides

Options

- Wooden Knobs
- Beveled Glass



Cherry in Shaker Style

Shown: #314
 18"D x 29³/₄"H x 37" Wall Space

Also Available: #315 18"D x 29³/₄"H x 40⁵/₈" Wall Space
 Also Available: #316 18"D x 29³/₄"H x 44¹/₄" Wall Space



*Available in Traditional, Mission, &
 Shaker Styles in Cherry, Oak, Brown Maple,
 & Quartersawn White Oak*

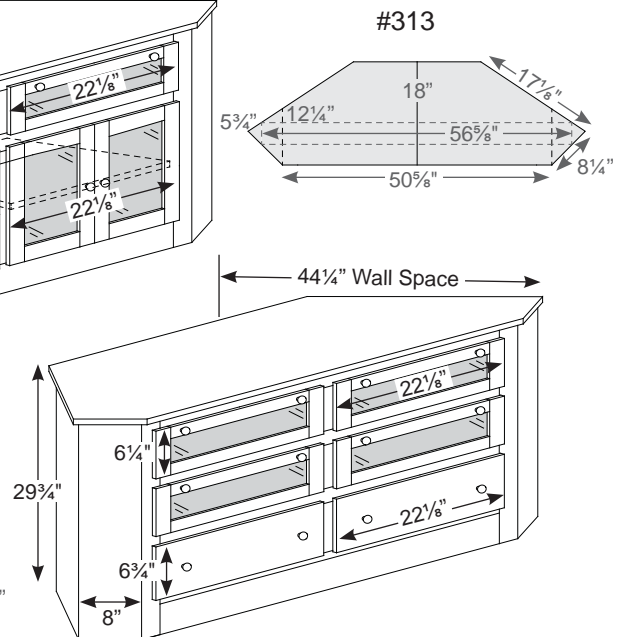
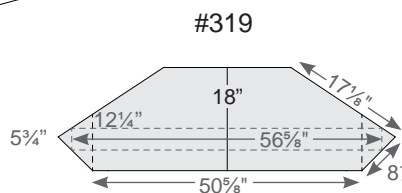
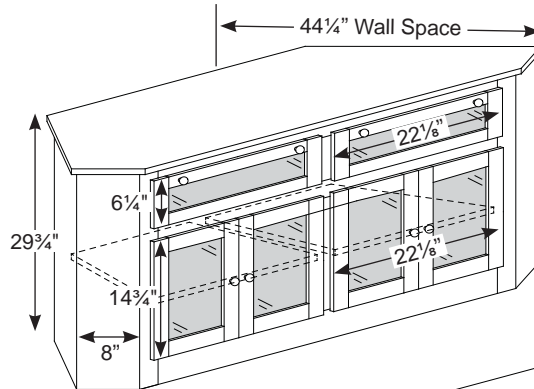
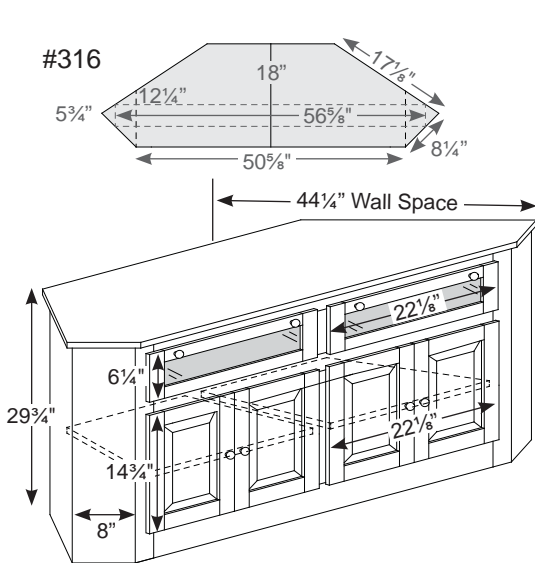
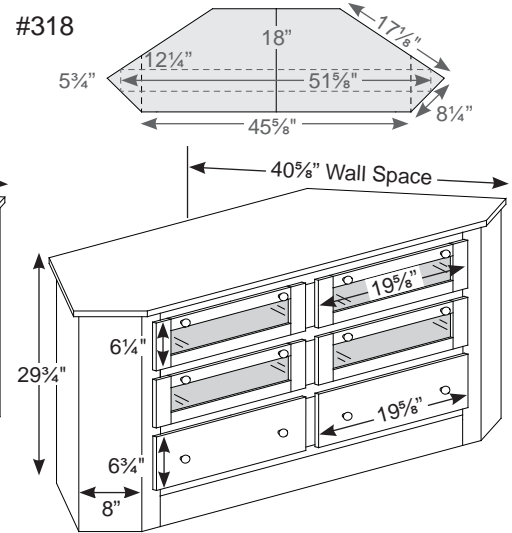
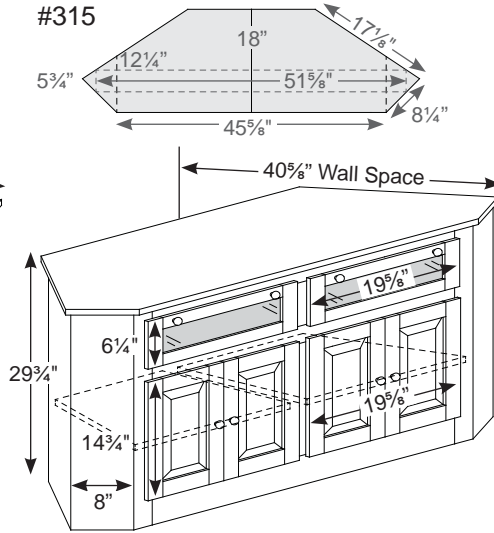
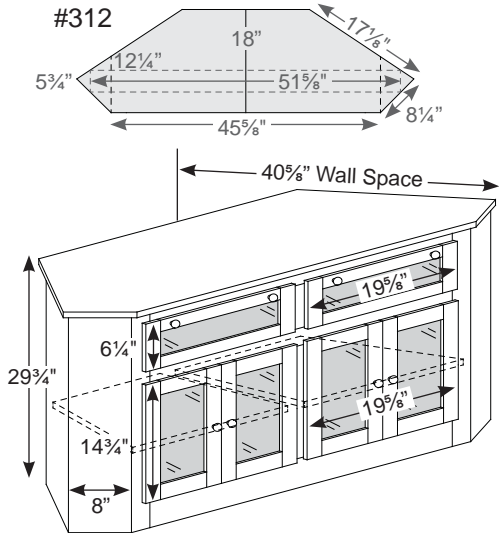
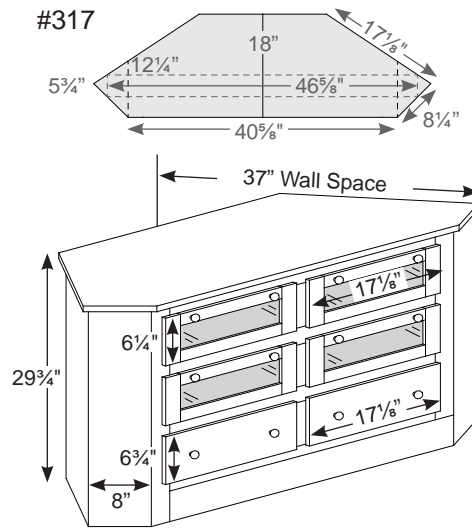
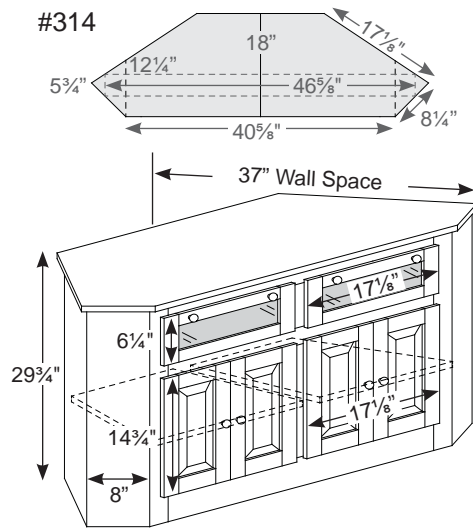
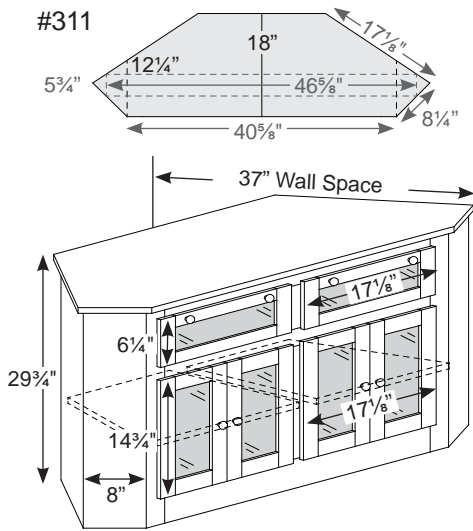


the Heirwood Collection

Dimensional Diagrams on back

Corner TV Stands

Note: Dimensions on doors and drawers reflect opening sizes



HDTV Entertainment Centers



Oak in Shaker Style

Standard Features

- Panel Doors (#342, #343, & #344)
- Smoked Glass Doors (#339, #340, & #341)
- Smoked Glass VCR Doors
- Knife Hinges
- Adjustable Shelves (Except #346, #347, & #348)
- 2 Dovetailed Drawers with Dividers (#346, #347, & #348)
- Vent Holes in Back
- Crown Moulding
- Base Moulding
- Weathered Brass Knobs on Oak in Traditional Style
- Polish Brass Knobs & Hinges on Cherry in Traditional Style
- Wooden Knobs on Shaker Style
- Mission Hardware on Mission Style
- Adjustable Glides

Options

- Wooden Knobs
- Beveled Glass

Shown: #342 2-Piece 19½"D x 71½"H x 53½" W
 Also Available: #343 2-Piece 19½"D x 71½"H x 58½"W
 Also Available: #344 2-Piece 19½"D x 71½"H x 63½"W



Cherry in Traditional Style

Shown: #339 2-Piece 19½"D x 71½"H x 53½" W
 Also Available: #340 2-Piece 19½"D x 71½"H x 58½"W
 Also Available: #341 2-Piece 19½"D x 71½"H x 63½"W



QWO in Mission Style

Shown: #346 2-Piece 19½"D x 71½"H x 53½" W
 Also Available: #347 2-Piece 19½"D x 71½"H x 58½"W
 Also Available: #348 2-Piece 19½"D x 71½"H x 63½"W

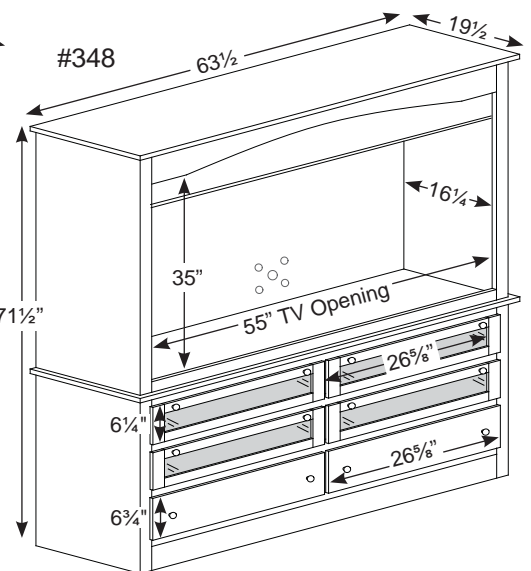
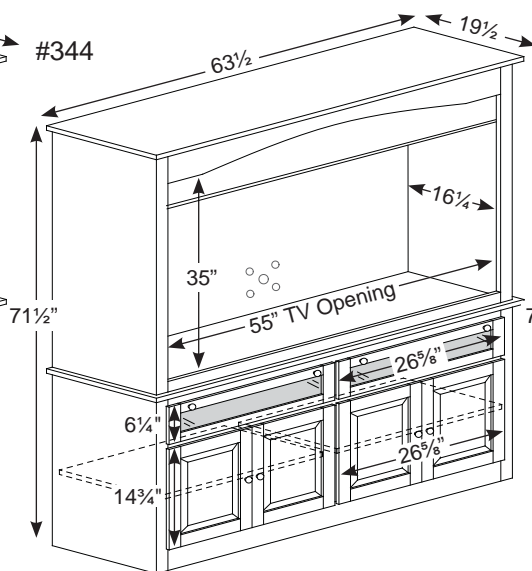
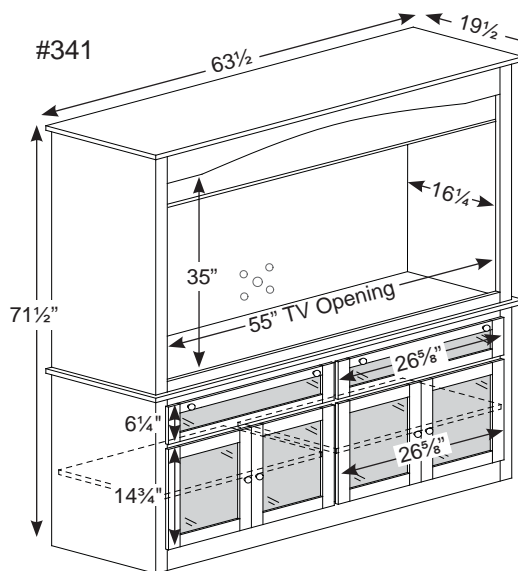
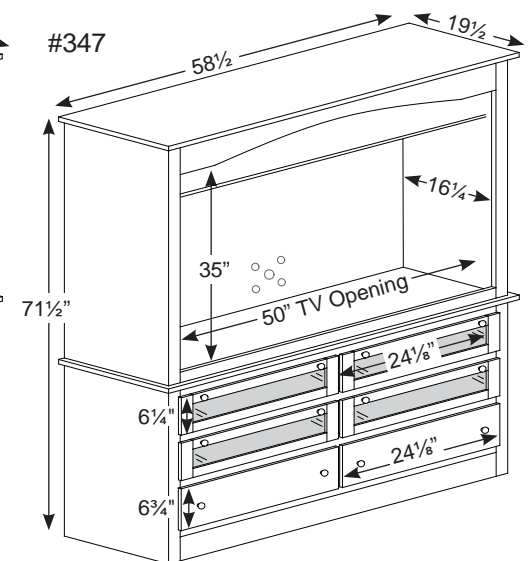
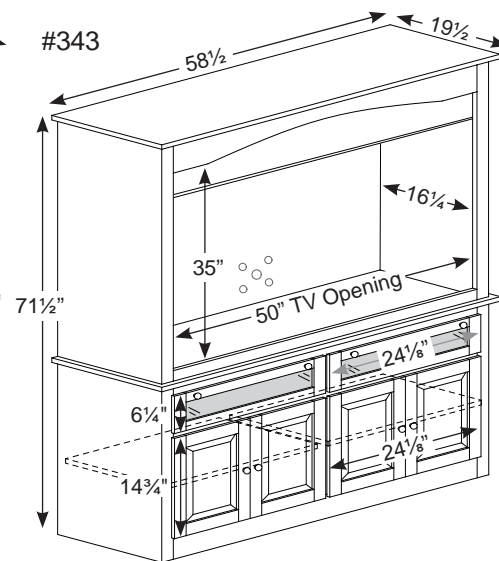
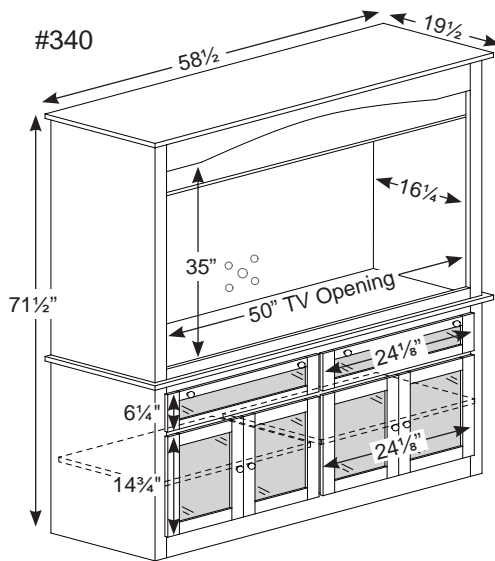
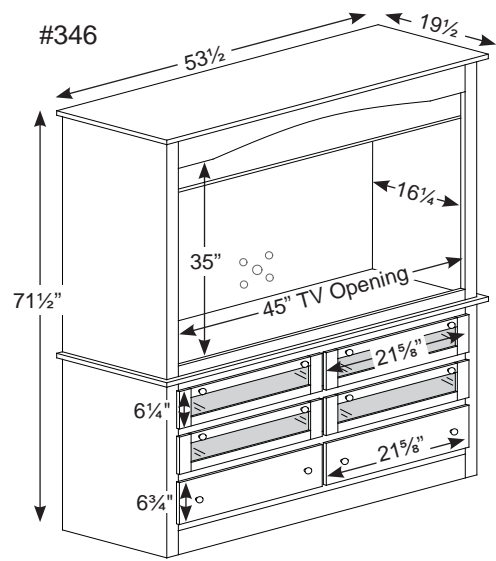
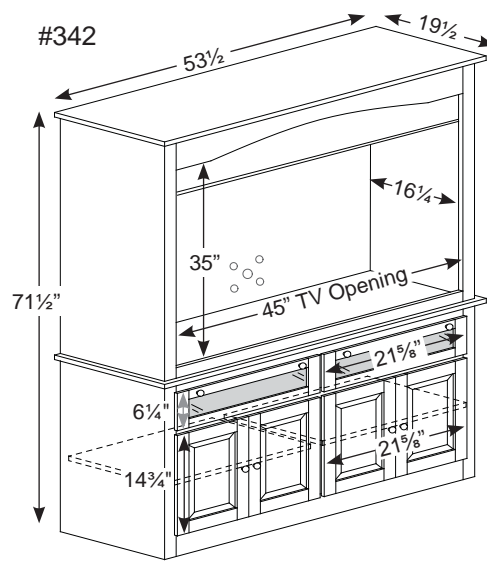
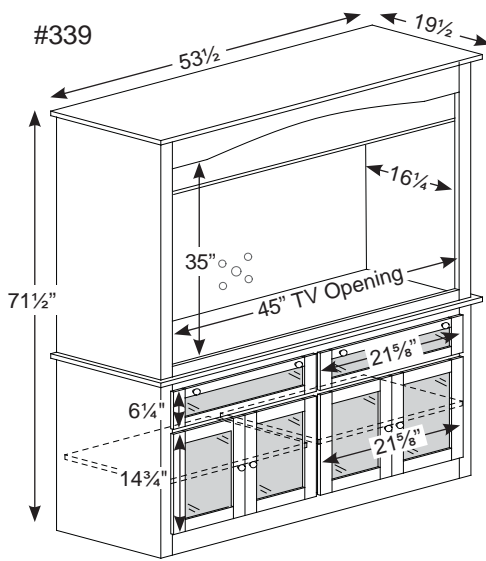


the Heirwood Collection

Dimensional Diagrams on back

Entertainment Centers

Note: Dimensions on doors and drawers reflect opening sizes



HDTV Corner Entertainment Centers



Oak in Shaker Style

Shown: #364 2-Piece 19½"D x 71½"H x 45" Wall Space

Also Available:

#365 2-Piece 19½"D x 71½"H x 48½" Wall Space

#366 2-Piece 19½"D x 71½"H x 52" Wall Space



Brown Maple in Shaker Style

Shown: #370 2-Piece 19½"D x 71½"H x 45" Wall Space

Also Available:

#371 2-Piece 19½"D x 71½"H x 48½" Wall Space

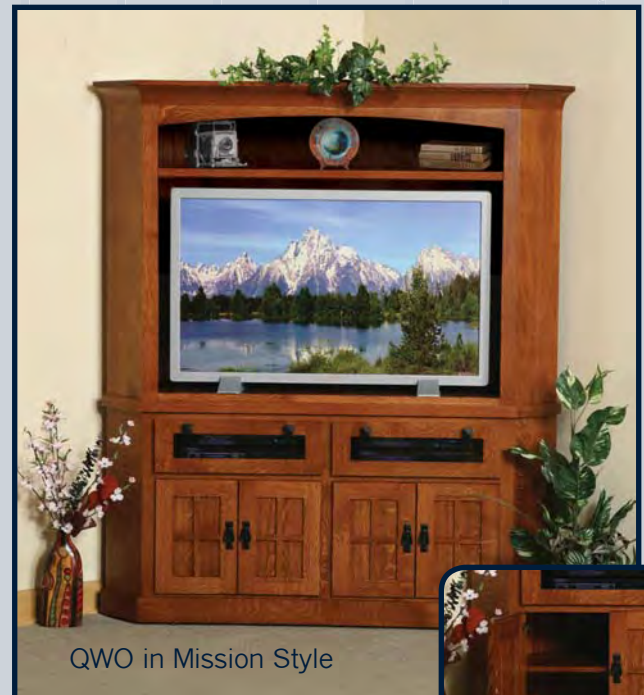
#372 2-Piece 19½"D x 71½"H x 52" Wall Space

Standard Features

- Panel Doors (#367, #368, & #369)
- Smoked Glass Doors (#364, #365, & #366)
- Smoked Glass VCR Doors
- Knife Hinges
- Adjustable Shelves (Except #370, #371, & #372)
- 2 Dovetailed Drawers with Dividers (#370, #371, & 372)
- Vent Holes in Back
- Crown Moulding
- Base Moulding
- Weathered Brass Knobs on Oak in Traditional Style
- Polish Brass Knobs on Cherry in Traditional Style
- Wooden Knobs on Shaker Style
- Mission Hardware on Mission Style
- Adjustable Glides

Options

- Wooden Knobs
- Beveled Glass



QWO in Mission Style

Shown: #367 2-Piece

19½"D x 71½"H x 45" Wall Space

Also Available:

#368 2-Piece 19½"D x 71½"H x 48½" Wall Space

#369 2-Piece 19½"D x 71½"H x 52" Wall Space

Available in Traditional, Mission, & Shaker Styles in Cherry, Oak, Brown Maple, & Quartersawn White Oak



the Heirwood Collection

Dimensional Diagrams on back

Entertainment Centers

Note: Dimensions on doors and drawers reflect opening sizes

