



MISSION MODULAR OFFICE



Comfortably relaxing.....Comfortably productive

60" Units

48" Units

Shown in Character QSWO
with Asbury Stain



#938 60" Hutch
60"W x 13½"D x 32"H
- 2 Adjustable Shelves
- Letter/Paper Storage



#936 48" Hutch
48"W x 13½"D x 32"H
- 2 Adjustable Shelves



#949 60" Credenza
60"W x 24"D x 30¾"H
- 4 File Drawers
- 1 Adjustable Shelf



#946 48" Credenza
48"W x 24"D x 30¾"H
- 2 File Drawers
- 1 Adjustable Shelf



#948 60" Desk
60"W x 24"D x 30¾"H
- Laptop Pullout Drawer
- 2 Storage Drawers



#944 Rolling File
(Rolls under #945 and #948 Desks)
17"W x 22"D x 24"H
- 1 Storage Drawer
- 1 File Drawer



#945 48" Desk
48"W x 24" D x 30¾"H
- Laptop Pullout Drawer



Only Base Unit Backs Finished For Middle Room Exposure

Files and Corner Desk Units

Shown in Character QSWO
with Asbury Stain



#940 Corner Table
24"W x 24"D x 30³/₄"H
- 1 Lower Shelf



#941 Corner Desk
65"W x 30"D x 30³/₄"H
- 1 Laptop Pullout Drawer



#942 File
24"W x 24"D x 30³/₄"H
- 2 File Drawers

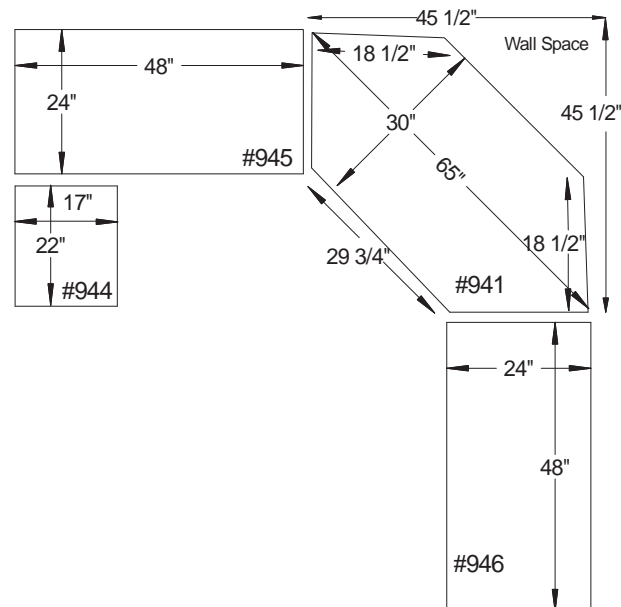
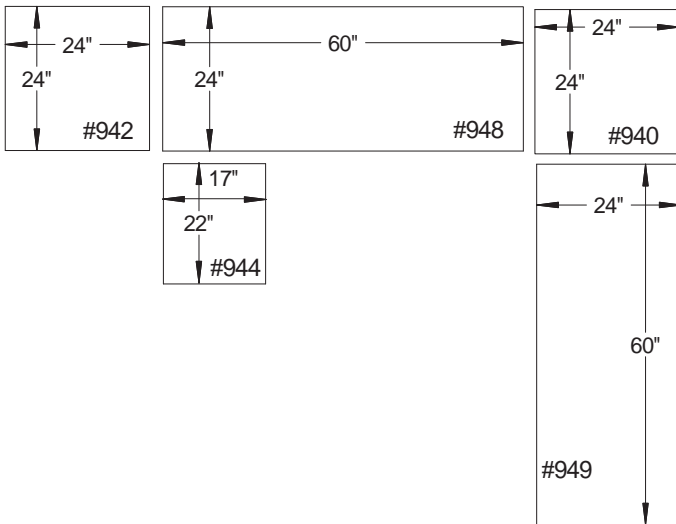


#943 Lateral File
32¹/₂"W x 24"D x 30³/₄"H
- 2 File Drawers



*Finished
Backs
Featured on
Corner Desk
Corner Table
and Files*

Floor Plan Layouts

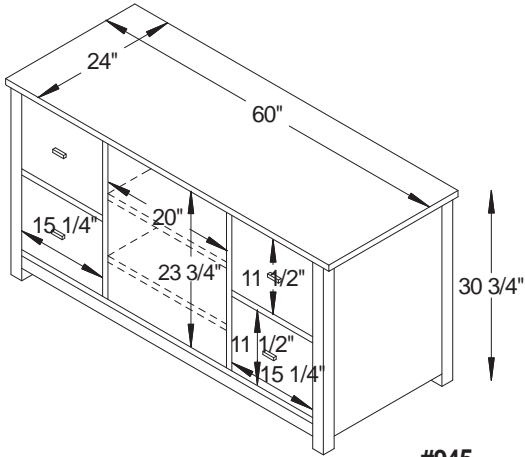


Comfortably relaxing.....Comfortably productive

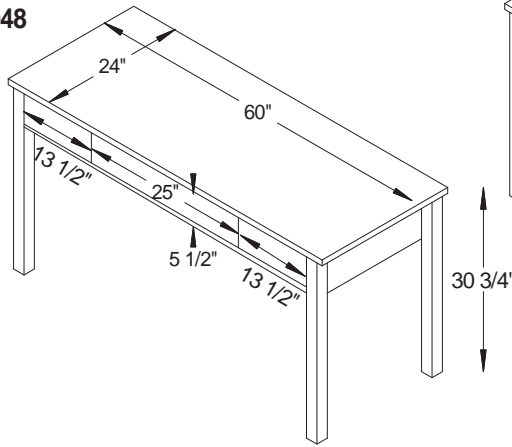
Dimensions

Note: Dimensions on doors and drawers reflect opening sizes

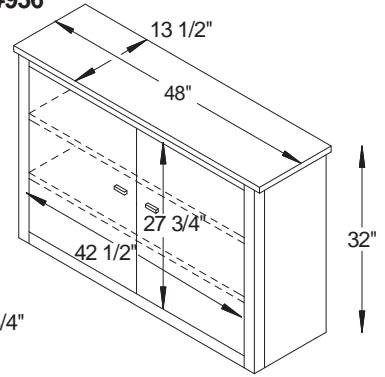
#949



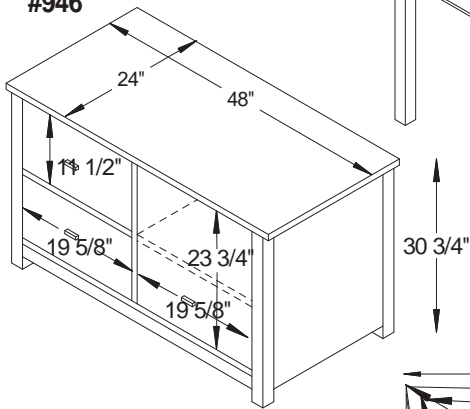
#948



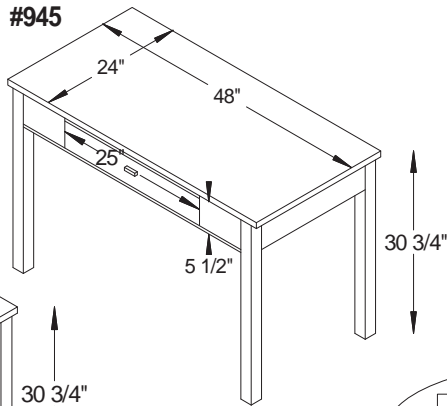
#936



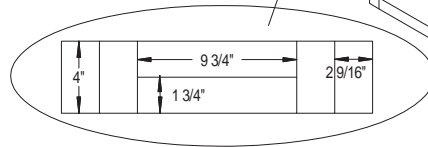
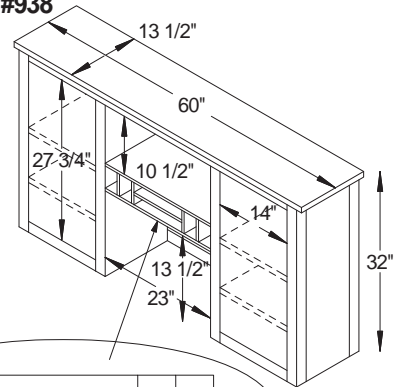
#946



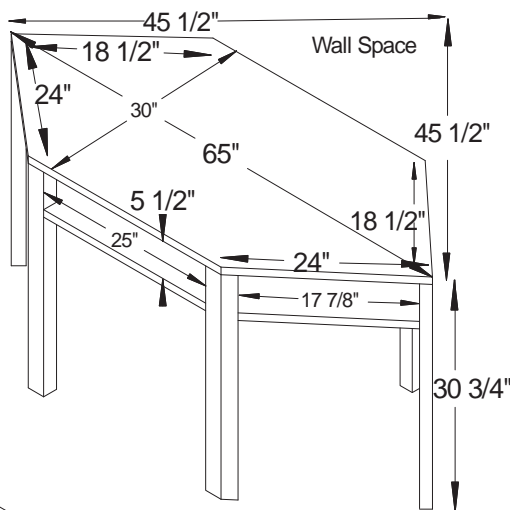
#945



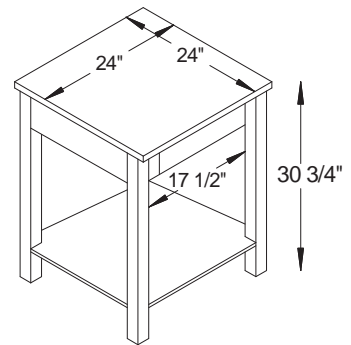
#938



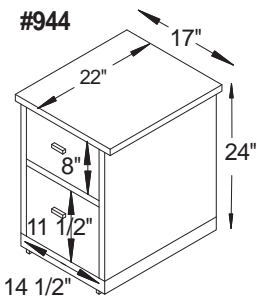
#941



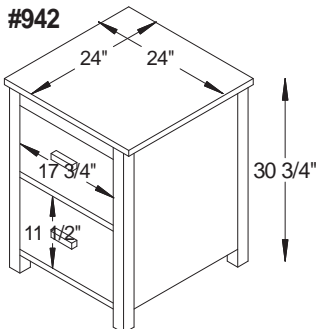
#940



#944



#942



#943

